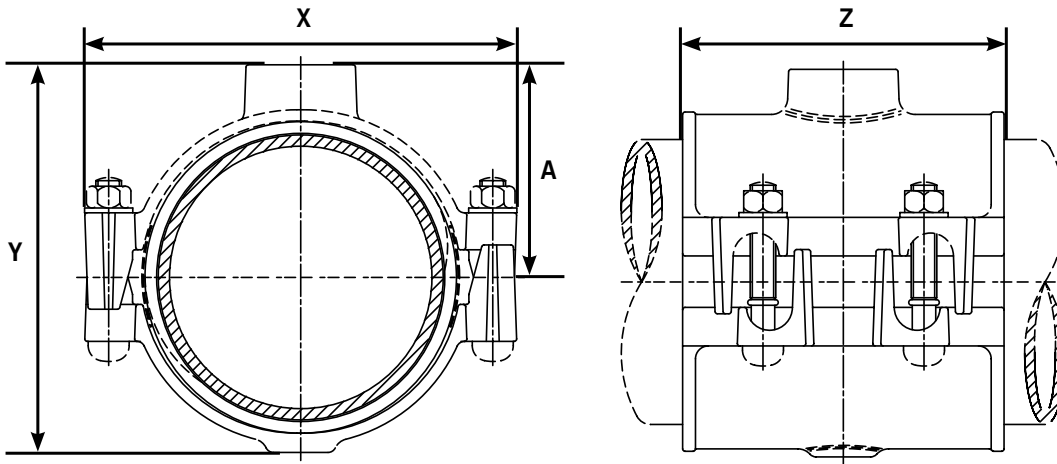


EasiClamp & EasiTap - 4 Bolt (D&T / D&T Outlet)

Datasheet 1/2

EasiTap - 4 Bolt



EasiTap - 4 Bolt D&T Outlet

Nominal Diameter	OD Range		Dimensions				Bolt Size No.-Dia x Length	Weight (kg)	Outlet BSP Threaded Size
	Min (mm)	Max (mm)	X (mm)	Y (Max) (mm)	Z (mm)	A (mm)			
3"	92.3	103.0	184	173	200	92	4-M16 x 95mm	5.0	1 1/2 or 2" BSP
4"	115.0	125.6	211	195	200	102	4-M16 x 95mm	6.0	2" BSP
5"	141.0	153.9	239	210	200	120	4-M16 x 95mm	7.5	2" BSP
6"	166.0	181.2	267	245	200	130	4-M16 x 95mm	8.3	2" BSP
7"	200.0	210.0	296	266	200	146	4-M16 x 95mm	9.0	2" BSP
200	216.5	226.0	313	292	200	153	4-M16 x 95mm	10.0	2" BSP
8"	230.2	243.5	332	309	200	161	4-M16 x 95mm	10.8	2" BSP
9"	243.0	267.0	362	330	212	180	4-M16 x 120mm	13.7	2" BSP
10"	269.0	294.0	395	347	250	194	6-M16 x 120mm	18.7	2" BSP
12"	323.0	349.0	450	412	300	221	8-M16 x 120mm	25.4	2" BSP

Every effort has been made to ensure that the information contained in this publication is accurate at the time of publishing. Crane Ltd assumes no responsibility or liability for typographical errors or omissions or for any misinterpretation of the information within the publication and reserves the right to change without notice.

DR8550_03_2020_ISSUE 6

EasiClamp & EasiTap - 4 Bolt (D&T / D&T Outlet)

Datasheet

2/2

Technical Information

Working Pressure Rating

Water 16 bar

Gas not approved

Vacuum Pressure

Capable of accommodating a vacuum pressure of -0.7 bar

Site Test Pressure

1.5 times working pressure for short duration (2 hours)

Angularity

Four Bolt EasiTap fittings are not able to accommodate any angularity.

Bolt Torque/Spanner

M12; Torque 55-65Nm on every bolt

Spanner size A/F 19mm

M16; Torque 95-110Nm on every bolt

Spanner size A/F 24mm

Temperature Rating of Product

EPDM -20°C to +40°C

Four bolt EasiClamp and EasiTap are not suitable for use on heating systems with fluctuating temperatures.

End Load Due to Internal Pressure

Four bolt EasiClamp and EasiTap DO NOT resist end load due to the internal pressure - adequate external restraint must be provided to prevent pipe pull out from the clamp.

Approvals

The following water contact materials used in four bolt EasiClamp and EasiTap are approved for use with potable water:-

Rilsan Nylon 11:

➤ WRAS, AS/NZS 4020, DVGW, W270, ACS & KIWA

EPDM Gaskets:

➤ WRAS, AS/NZS 4020

In addition to the above, four bolt EasiClamp and EasiTap as a finished product has KIWA certification verifying that the above products comply with the requirements of the Water Supply (Water Fittings) Regulations for England and Wales 1999, the Water Byelaws 2000, Scotland and the Water Regulations Northern Ireland.

Materials & Relevant Standards

Housing

Plain Housing:

➤ Ductile Iron to BS EN 1563 SYMBOL EN-GJS-450-10

Tapped Housing (Boss):

➤ Ductile Iron to BS EN 1563 SYMBOL EN-GJS-450-10

Tapped Housing (Outlet) Options:

➤ Ductile Iron to BS EN 1563 SYMBOL EN-GJS-450-10

➤ Malleable Cast Iron to BS EN 1562 SYMBOL EN-GJMB-350-10

Bridging Plate

Stainless Steel to BS1449: Part 2 Grade 304S15 2B Finish

Gasket

BS EN681-1 60 IRHD

Coatings

Plain Housing:

➤ Rilsan Nylon 11 to WIS 4-52-01 (Part1)

Tapped Housing:

➤ Rilsan Nylon 11 to WIS 4-52-01 (Part1)

Bolts & Nuts:

➤ Sheraplex to WIS 4-52-03

Bolts

Standard - Steel to BS EN ISO 898-1 Property Class 4.8

Option - Stainless Steel to BS EN ISO3506-1 Grade A2 Property Class 70

Nuts

Standard - Steel to BS 4190 Grade 4

Option - Stainless Steel to BS EN ISO3506-2 Grade A4 Property Class 80

Washers

Standard - Stainless Steel to BS 1449:Part 2 Grade 304 S15

Option - Stainless Steel to BS EN ISO3506-1 Grade A2 Property Class 50