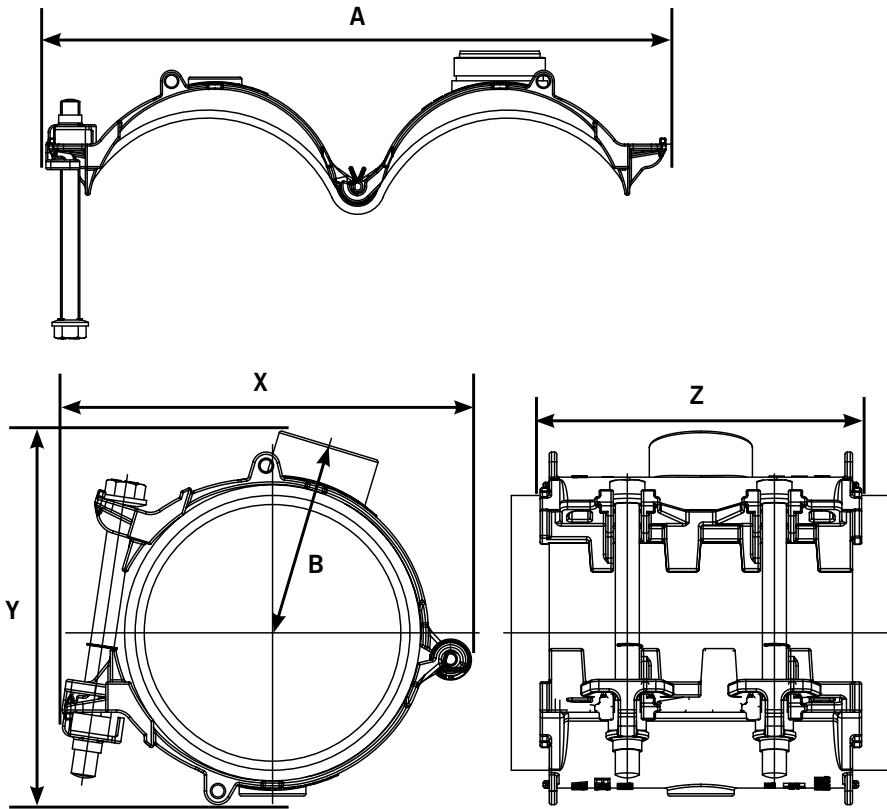


EasiTap Hinged - 2 Bolt (D&T / D&T Outlet)

Datasheet 1/2

EasiTap Hinged - 2 Bolt



EasiTap Hinged - 2 Bolt D&T Outlet

Nominal Diameter	OD Range		Overall Dimensions					Bolt Size No.-Dia x Length	Gasket Mould No.	Weight (kg)	Outlet - BSP Threaded Size
	Min (mm)	Max (mm)	X (mm)	Y (mm)	Z (mm)	A (mm)	B (mm)				
3"	92.3	103	182	185	212	347	86	2-M16 x 165	13094	5.0	2"BSP
4"	115	125.6	207	200	212	395	93	2-M16 x 165	13095	5.5	2"BSP
6"	166	181.2	264	247	212	512	122	2-M16 x 185	13096	7.1	2"BSP

Every effort has been made to ensure that the information contained in this publication is accurate at the time of publishing. Crane Ltd assumes no responsibility or liability for typographical errors or omissions or for any misinterpretation of the information within the publication and reserves the right to change without notice.

DR8550_03_2020_ISSUE 6

EasiTap Hinged - 2 Bolt (D&T / D&T Outlet)

Datasheet

2/2

Technical Information

Working Pressure Rating

Water 16 bar

Gas not approved

Vacuum Pressure

Capable of accommodating a vacuum pressure of -0.7 bar

Site Test Pressure

1.5 times working pressure for short duration (2 hours)

Angularity

Two Bolt Remote EasiTap fittings are not able to accommodate any angularity.

Bolt Torque/Spanner

M16; Torque 95-110Nm on every bolt

Spanner size A/F 24mm

Temperature Rating of Product

EPDM -20°C to +40°C

Two bolt Remote EasiTap is not suitable for use on heating systems with fluctuating temperatures.

End Load Due to Internal Pressure

Two bolt Remote EasiTap DO NOT resist end load due to the internal pressure - adequate external restraint must be provided to prevent pipe pull out from the clamp.

Approvals

The following water contact materials used in two bolt Remote EasiTap are approved for use with potable water:-

Rilsan Nylon 11:

► WRAS, AS/NZS 4020, DVGW, W270, ACS & KIWA

EPDM Gaskets:

► WRAS, AS/NZS 4020

In addition to the above, two bolt Remote EasiTap as a finished product has KIWA certification verifying that the above products comply with the requirements of the Water Supply (Water Fittings) Regulations for England and Wales 1999, the Water Byelaws 2000, Scotland and the Water Regulations Northern Ireland.

Materials & Relevant Standards

Housing

Ductile Iron to BS EN1563 Symbol EN-GJS-450-10

Bridging Plate

Stainless Steel BS1449:PART 2 GRADE 304S15 2B Finish

Hinge Clip / Retaining Clip / Bolt Retainer Clip

Acetal M25-04 Natural (HOECHST)

Gasket

BS EN681-1 60 IRHD

Coatings

Body:

► Rilsan Nylon 11 to WIS 4-52-01 (Part1)

Bolts and Anti-Rotation Nuts:

► Sheraplex to WIS 4-52-03

Spherical Washer:

► Galvanised

Bolts

Standard - Steel to BS EN ISO 898-1 Property Class 4.8

Anti-Rotation Nut

Cast or Machined Steel. Min Yield Strength = 275N/mm². Ultimate Tensile Strength = 430N/mm². Elongation = 23%

Spherical Washer

Ductile Iron to BS EN1563 Symbol EN-GJS-450-10