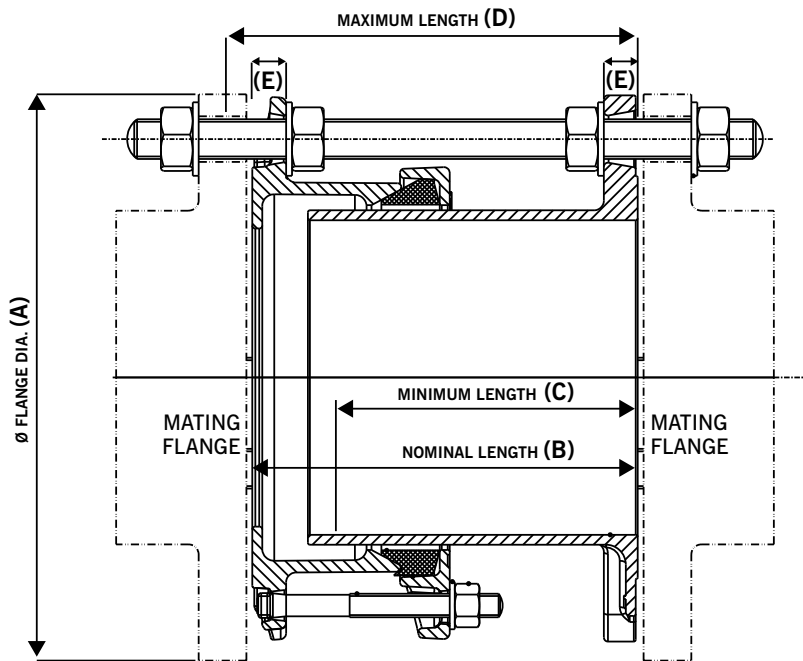


# Dismantling Joints Cast DN40 to DN300 (PN10,16,25,40)

Datasheet

1/4

## Dismantling Joint (Cast)



**Note:** Maximum Longitudinal Adjustment = Maximum Length – Minimum Length

## Dismantling Joints (Standard Product)

Table provides details of standard product – for products offering longer flange dimensions and / or increased longitudinal adjustment contact Viking Johnson.

		Flange Details			Flange to Flange Details			Tie Rod Details					
Nom	Drilling	Flange Thickness		Flange OD	Nominal Length	Minimum Length	Maximum Length	Steel Tie Rod			Stainless Steel Tie Rod		
		Flange Adaptor E (mm)	Spigot E (mm)	A (mm)	B (mm)	C (mm)	D (mm)	Dia x Length (mm)	No.	Total Weight of DJ (kg)	Dia x Length (mm)	No.	Total Weight of DJ (kg)
50	PN10,16,25,40	17	17	165	194	174	214	M16 x 300	4	6.9	M16 x 300	4	6.9
65	PN10,16	17	17	185	194	174	214	M16 x 300	4	7.7	M16 x 300	4	7.7
80	PN10,16,25,40	17	17	200	194	174	214	M16 x 300	4	9.4	M16 x 300	4	9.4
100	PN10,16	17	17	220	194	174	214	M16 x 300	4	10.4	M16 x 300	4	10.4
125	PN10,16	17	17	250	194	174	214	M16 x 300	4	11.9	M16 x 300	4	11.9
150	PN10,16	17	17	285	194	174	214	M20 x 310	4	15.8	M20 x 310	4	15.8
200	PN10	20	20	340	194	174	214	M20 x 310	4	21.6	M20 x 310	4	21.6
200	PN16	20	20	340	194	174	214	M20 x 310	4	21.6	M20 x 310	4	21.6
250	PN10	19	20	395	194	174	214	M20 x 310	4	28.9	M20 x 310	4	28.9
250	PN16	19	20	405	194	174	214	M24 x 330	4	31.6	M24 x 330	4	31.6
300	PN10	19	19	445	194	174	214	M20 x 310	4	32.8	M20 x 310	4	32.8
300	PN16	19	20	460	194	174	214	M24 x 330	4	35.4	M24 x 330	4	35.4

Every effort has been made to ensure that the information contained in this publication is accurate at the time of publishing. Crane Ltd assumes no responsibility or liability for typographical errors or omissions or for any misinterpretation of the information within the publication and reserves the right to change without notice.

DR10450\_21\_07\_2021\_ISSUE 7

### Technical Information

#### Working Pressure Rating

Water - In accordance with the flange rating  
Gas 6 bar

#### Vacuum Pressure

Capable of accommodating a vacuum pressure of -0.7 bar

#### Site Test Pressure

1.5 times working pressure for short duration (2 hours)

#### Angularity

Dismantling joints are in essence double flanged pipe where the flange to flange dimension can be adjusted, and therefore are not able to accommodate any angularity.

#### Bolt Torque/Spanner

M12; Torque 55-65Nm on every bolt

#### Tie rods

Torque is a function of the flange connecting gasket, not supplied by Viking Johnson; consult flange gasket supplier.

#### Temperature Rating of Product

EPDM -20°C to +90°C

Nitrile -20°C to +90°C

For use on applications with fluctuating and / or elevated temperatures (> 60°C) may require regular maintenance to re-tighten the bolts and must be included in any maintenance schedule.

#### Approvals

The following water contact materials used in Dismantling Joints are approved for use with potable water:-

Rilsan Nylon 11:

- WRAS, AS/NZS 4020, DVGW, W270, ACS & KIWA

EPDM Gaskets:

- WRAS, AS/NZS 4020

### Materials & Relevant Standards

#### Flange Drilling

BS EN1092-1  
(formerly BS4504), ISO7005

#### Cast Flange Adaptor Body & End Rings

Ductile Iron to BS EN1563:  
Symbol EN-GJS-450-10

#### Cast Flange Spigot:

Ductile Iron to BS EN1563:  
Symbol EN-GJS-450-10

#### Steel Spigot Options:

- Steel tube to BS EN10255
- Steel tube to BS EN10216-1: Grade P265TR1
- Rolled steel to BS EN10025-2: Grade S275

#### Gaskets

Standard:

- EPDM to BS EN681-1: Type WA
- Other gasket grades are available contact Viking Johnson.

#### Coatings

Flange Adaptor, Spigot & End Ring:

- Rilsan Nylon 11 to WIS 4-52-01 Part 1

Option 1 Flange Adaptor bolts & Nuts:

- Sheraplex to WIS 4-52-03

Steel Tie Rods/Nuts:

- Zn<sup>3</sup> Zinc coated

#### Tie Rods, Studs, Nuts and Washers

The following two options are as standard variants:-

#### Option 1: Zinc Plated Steel

##### Tie Rods

ASTM A193 (Grade B7/MB7) equivalent to BS EN10269:+A1: Name 42CrMo4 (Yield 725N/mm<sup>2</sup>)

##### Tie Rod Nuts

ASTM A194 Grade 2H/M2H equivalent to BS EN20898-2: Property Class 8.00

##### Flange Adaptor Studs

Steel to BS EN ISO898-1: Property Class 4.8

##### Flange Adaptor Nuts

Steel to BS4190: Grade 4

##### Flange Adaptor Washers

Stainless Steel to BS1449:Part 2: Grade 304S15

#### Option 2: Stainless Steel

##### Tie Rods

Stainless Steel to BS EN3506-1: Grade A4 Property Class 70 (Yield 450N/mm<sup>2</sup>)

##### Tie Rod Nuts

Stainless Steel to BS EN3506-2: Grade A4 Property Class 80

##### Flange Adaptor Studs

Stainless Steel to BS EN ISO 3506-1: grade A4 property class 50

##### Flange Adaptor Nuts

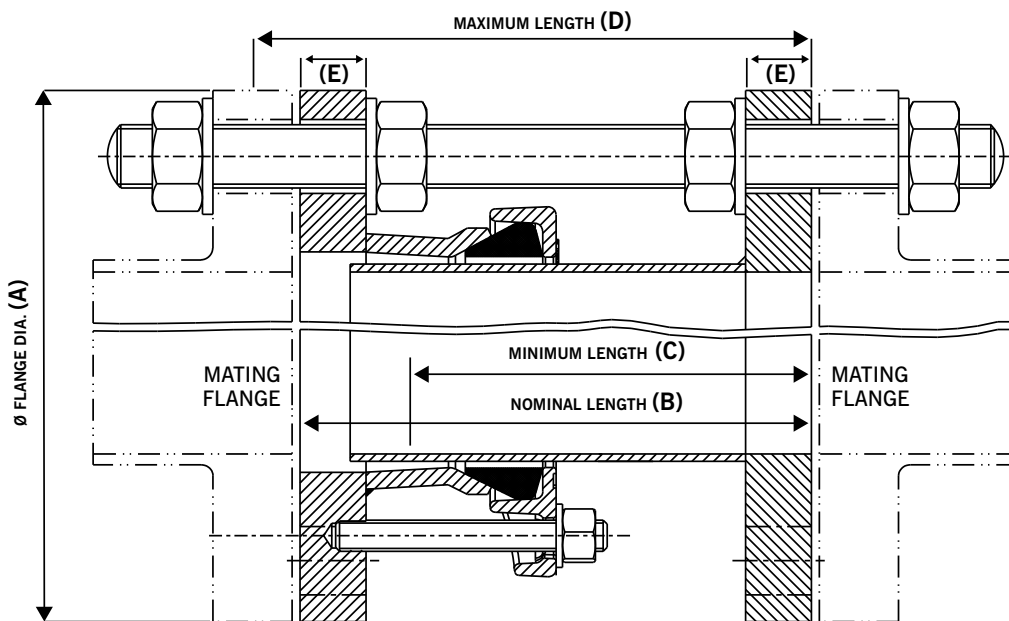
Stainless Steel to BS EN ISO 3506-2: grade A4 property class 80

##### Flange Adaptor Washers

Stainless Steel to BS1449: Part 2: Grade 304S15

# Dismantling Joints Fabricated DN40 to DN300 (PN10,16,25,40)

## Dismantling Joint (Fabricated)



**Note:** Maximum Longitudinal Adjustment = Maximum Length – Minimum Length

## Dismantling Joints (Standard Product)

Table provides details of standard product – for products offering longer flange dimensions and / or increased longitudinal adjustment contact Viking Johnson.

		Flange Details			Flange to Flange Details			Tie Rod Details					
Nom	Drilling	Flange Thickness		Flange OD	Nominal Length	Minimum Length	Maximum Length	Steel Tie Rod			Stainless Steel Tie Rod		
		Flange Adaptor E (mm)	Spigot E (mm)	A (mm)	B (mm)	C (mm)	D (mm)	Dia x Length (mm)	No.	Total Weight of DJ (kg)	Dia x Length (mm)	No.	Total Weight of DJ (kg)
40	PN10,16,25,40	18	18	150	187	167	207	M16 x 300	4	7.8	M16 x 300	4	7.8
100	PN25,40	25	25	235	194	174	214	M20 x 320	4	19.2	M20 x 320	4	19.2
125	PN25,40	25	25	270	194	174	214	M24 x 330	4	26.2	M24 x 330	4	26.2
150	PN25	25	25	300	194	174	214	M24 x 330	4	28.9	M24 x 330	4	28.9
150	PN40	25	25	300	194	174	214	M24 x 330	4	28.8	M24 x 330	4	28.8
200	PN25	25	25	360	194	174	214	M24 x 340	4	37.5	M24 x 340	4	37.5
200	PN40	25	25	375	194	174	214	M27 x 350	4	42.6	M27 x 350	4	42.6
250	PN25	25	25	425	194	174	214	M27 x 350	4	49.1	M27 x 350	4	49.1
250	PN40	25	25	450	194	174	214	M30 x 370	4	57.9	M30 x 370	4	57.9
300	PN25	25	25	485	194	174	214	M27 x 350	4	57.1	M27 x 350	4	57.1
300	PN40	25	25	515	194	174	214	M30 x 380	4	69.8	M30 x 380	4	69.8

Every effort has been made to ensure that the information contained in this publication is accurate at the time of publishing. Crane Ltd assumes no responsibility or liability for typographical errors or omissions or for any misinterpretation of the information within the publication and reserves the right to change without notice.

# Dismantling Joints Fabricated DN40 to DN300 (PN10,16,25,40)

Datasheet

4/4

## Technical Information

### Working Pressure Rating

Water - In accordance with the flange rating  
Gas 6 bar

### Vacuum Pressure

Capable of accommodating a vacuum pressure of -0.7 bar

### Site Test Pressure

1.5 times working pressure for short duration (2 hours)

### Angularity

Dismantling joints are in essence double flanged pipe where the flange to flange dimension can be adjusted, and therefore are not able to accommodate any angularity.

### Bolt Torque/Spanner

M12; Torque 55-65Nm on every bolt  
M16; Torque 95-110Nm on every bolt

### Tie rods

Torque is a function of the flange connecting gasket, not supplied by Viking Johnson; consult flange gasket supplier.

### Temperature Rating of Product

EPDM -20°C to +90°C

Nitrile -20°C to +90°C

For use on applications with fluctuating and / or elevated temperatures (> 60°C) may require regular maintenance to re-tighten the bolts and must be included in any maintenance schedule.

### Approvals

The following water contact materials used in Dismantling Joints are approved for use with potable water:-

Rilsan Nylon 11:

- WRAS, AS/NZS 4020, DVGW, W270, ACS & KIWA

EPDM Gaskets:

- WRAS, AS/NZS 4020

## Materials & Relevant Standards

### Flange Drilling

BS EN1092-1  
(formerly BS4504), ISO7005

### Fabricated Flange Adaptor Body

Rolled Steel to BS EN 10025-2:  
Grade S275

### End Rings

Rolled Steel to BS EN 10025-2:  
Grade S275

Ductile Iron to BS EN1563:  
Symbol EN-GJS-450-10

### Sleeve Options

- Steel Tube to BS EN10255
- Steel Tube to BS EN10216-1:  
Grade P265TR1
- Rolled Steel to BS EN 10025-2:  
Grade S275

### Fabricated Flange Spigot:

Rolled steel to BS EN10025-2:  
Grade S275

### Steel Spigot Options:

- Steel tube to BS EN10255
- Steel tube to BS EN10216-1:  
Grade P265TR1
- Rolled steel to BS EN10025-2:  
Grade S275

### Gaskets

Standard:

- EPDM to BS EN681-1: Type WA
- Other gasket grades are available contact Viking Johnson.

### Coatings

Flange Adaptor, Spigot  
& End Ring:

- Rilsan Nylon 11 to  
WIS 4-52-01 Part 1

Option 1 Flange Adaptor  
bolts & Nuts:

- Sheraplex to WIS 4-52-03

Steel Tie Rods/Nuts:

- Zn<sup>3</sup> Zinc coated

### Tie Rods, Studs, Nuts and Washers

The following two options are as standard variants:-

#### Option 1: Zinc Plated Steel

##### Tie Rods

ASTM A193 (Grade B7/MB7)  
equivalent to BS EN10269:+A1:  
Name 42CrMo4 (Yield 725N/mm<sup>2</sup>)

##### Tie Rod Nuts

ASTM A194 Grade 2H/M2H  
equivalent to BS EN20898-2:  
Property Class 8.00

##### Flange Adaptor Studs

Steel to BS EN ISO898-1:  
Property Class 4.8

##### Flange Adaptor Nuts

Steel to BS4190: Grade 4

##### Flange Adaptor Washers

Stainless Steel to BS1449:Part 2:  
Grade 304S15

#### Option 2: Stainless Steel

##### Tie Rods

Stainless Steel to BS EN3506-1:  
Grade A4 Property Class 70  
(Yield 450N/mm<sup>2</sup>)

##### Tie Rod Nuts

Stainless Steel to BS EN3506-2:  
Grade A4 Property Class 80

##### Flange Adaptor Studs

Stainless Steel to  
BS EN ISO 3506-1: grade A4  
property class 50

##### Flange Adaptor Nuts

Stainless Steel to  
BS EN ISO 3506-2: grade A4  
property class 80

##### Flange Adaptor Washers

Stainless Steel to BS1449:  
Part 2: Grade 304S15